

Limited Approval Only

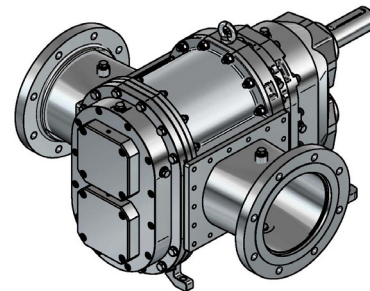


# API 676 Compliant Positive Displacement Rotary Lobe Pumps

## L266h

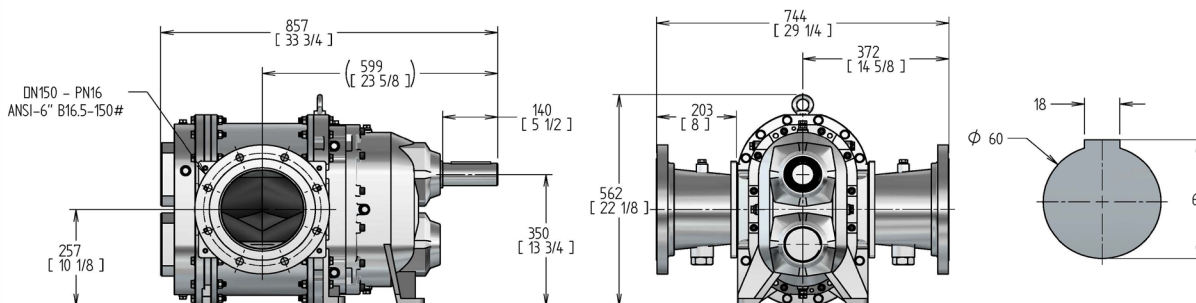
SPECIFICATIONS	US	Metric
Rated Capacity:	0-1,330 gpm	0-302 m <sup>3</sup> /h
Displacement (per 100 revolutions):	266 gal (US)	1,003 L
Maximum Continuous Pressure:	150 psi	10.3 bar
Starting Torque:	3,857 in lbf	436 N m
Rated Speed:	0-500 RPM**	0-500 RPM**
Shaft Diameter:	2.4"	60 mm
Flange Connection Class:	ANSI 16.5-150#	DN - PN 10
Flange Connection Size:	ANSI 8"	DN 200
Weight:	693 lbs	315 kg
<b>Solids Handling</b>		
Spherical Compressible	3"	76 mm
Spherical Hard*	1/8"	3 mm
NPSH required:	3 ft.	1 m

\* Larger hard solids will pass through but may cause damage.



MODEL >	API-SL266h	API-CL266h	API-DL266h
Service	Non-Corrosive Sludge & Slurries	Chemical/Corrosive	Oil, Gas, Abrasive and Corrosive
<b>WETTED PARTS</b>			
<b>Rotary Lobes</b>			
Elastomer Options	NBR, Opt. FKM, HNBR, EPDM or Eng. Rec.	HNBR, Opt. FKM, NBR, EPDM or Eng. Rec.	HNBR, Opt. FKM, NBR, EPDM or Eng. Rec.
Lobe Profile	Helix	Helix	Helix
Number of lobe wings	4	4	4
Core	Carbon Steel	Carbon Steel	Carbon Steel
<b>Sealing Elastomers</b>			
O-rings	FKM	FKM or Engineer Recommendation	FKM or Engineer Recommendation
Lip seals	FKM or Engineer Recommendation	FKM or Engineer Recommendation	FKM or Engineer Recommendation
<b>Shaft Seal / Mechanical Seals*</b>			
Type	Single Mechanical Cartridge	Single Mechanical Cartridge	Single Mechanical Cartridge
Flushing	Internal Oil Cooled.	Internal Oil Cooled.	Internal Oil Cooled.
Seal Faces	Duronit, Opt. Silicon Carbide or Tungsten Carbide	Silicon Carbide, Opt. Tungsten Carbide	Silicon Carbide, Opt. Tungsten Carbide
Seal Holders	Carbon Steel with Corrosion resistant coating	316 Stainless Steel	2205 Duplex
Seal Inspection & Removal	May be accomplished without removing driver	May be accomplished without removing driver	May be accomplished without removing driver
<b>Wear Plates</b>	AR500 Steel (Brinell 500)	Duplex Stainless Steel	Duplex Stainless Steel
<b>Housing Segments</b>			
	Duplex CD3Mn Stainless Steel	Duplex CD3Mn Stainless Steel	Duplex CD3Mn Stainless Steel
<b>Flange:</b>	Carbon Steel	316 Stainless Steel	Duplex Stainless Steel
<b>Bolts</b>	316 SS Hex Head DIN 933	316 SS Hex Head DIN 933	Duplex SS Hex Head DIN 933
<b>Bolts- Strain Bolt</b>	Alloy Steel Socket Head DIN 912/ISO 4762	316 SS Socket Head DIN 912/ISO 4762, A2-A4	Duplex SS Socket Head DIN 912/ISO 4762
<b>Pressure Disc</b>	Stainless Steel Type 316L	Stainless Steel Type 316L	Duplex Stainless Steel
<b>LIMITED EXPOSURE PARTS</b>			
<b>Pump Cover - Door/Lh Assembly</b>	ASTM A48 Grey Iron rust primed	ASTM A48 Grey Iron rust primed with PTFE / Ceramic Teflon etched on face	ASTM A48 Grey Iron rust primed with PTFE / Ceramic Teflon etched on face
<b>Quench/Seal Cooling Chamber</b>	ASTM A48 Grey Iron Rust Primed.	ASTM Grey Iron SSPC-SP6 Sandblast/Paint with PTFE / Ceramic Teflon etched on face	ASTM Grey Iron SSPC-SP6 Sandblast/Paint with PTFE / Ceramic Teflon etched on face
<b>NON-WETTED PARTS</b>			
<b>Timing Gears</b>	AGMA Class 9 SAE 1045 steel	AGMA Class 9 SAE 1045 steel	AGMA Class 9 SAE 1045 steel
<b>Gear Housing</b>	ASTM A48 Grey Iron rust primed	ASTM A48 Grey Iron SSPC-SP6 Sandblast/Paint	ASTM A48 Grey Iron SSPC-SP6 Sandblast/Paint
<b>Shaft</b>	AISI 4140 Alloy Steel	AISI 4140 Alloy Steel	AISI 4140 Alloy Steel
<b>Shaft Keyways</b>	Fillet radii conforming to ASME B17.2	Fillet radii conforming to ASME B17.2	Fillet radii conforming to ASME B17.2
<b>Bearings</b>	K5 Fit, C3 internal Clearance per AGMA7	K5 Fit, C3 internal Clearance per AGMA7	K5 Fit, C3 internal Clearance per AGMA7
<b>OTHER INFORMATION</b>			
<b>Welding</b>	Operators qualified under ASME BPVC Section IX	Operators qualified under ASME BPVC Section IX	Operators qualified under ASME BPVC Section IX
<b>Draining and Venting</b>	Partially Drain capable. External venting required	Partially Drain capable. External venting required	Partially Drain capable. External venting required
<b>Flammable/Hazardous Service</b>	ATEX II 3G/D T3	ATEX II 3G/D T3	ATEX II 3G/D T3

**NOTE:** Summary of the principal features of the LobePro API 676 compliant pump. There are many other provisions of API 676 which apply to the pump. Our API series pumps comply with all of these provisions.  
 \*: Our mechanical seals do not comply with API-682 due to the space and design parameters of the pump. However, our seal is not an exception and is considered an "Engineered Seal" under API 676 Revision 4. Flushing with pumped fluid (sludge/slurry) not desirable. Optional Plan 99 Oil Flush System available.



**Section 35-56**

16 April 2018

**MODEL > API-SL266h, API-CL266h, API-DL266h**

**Standard Tests**

**Test Description**

**Hydrostatic Test**

Operates without leaking at 150% of MACP when hydro tested

**Run Test**

Tested to determine if the pump operates without excessive vibration or seal leaks throughout operating range.

**Performance Test**

Tested at duty point to confirm pump curve.

**Sound Test**

Shall be under 85 db's at a distance of 3 ft. (1 meter).

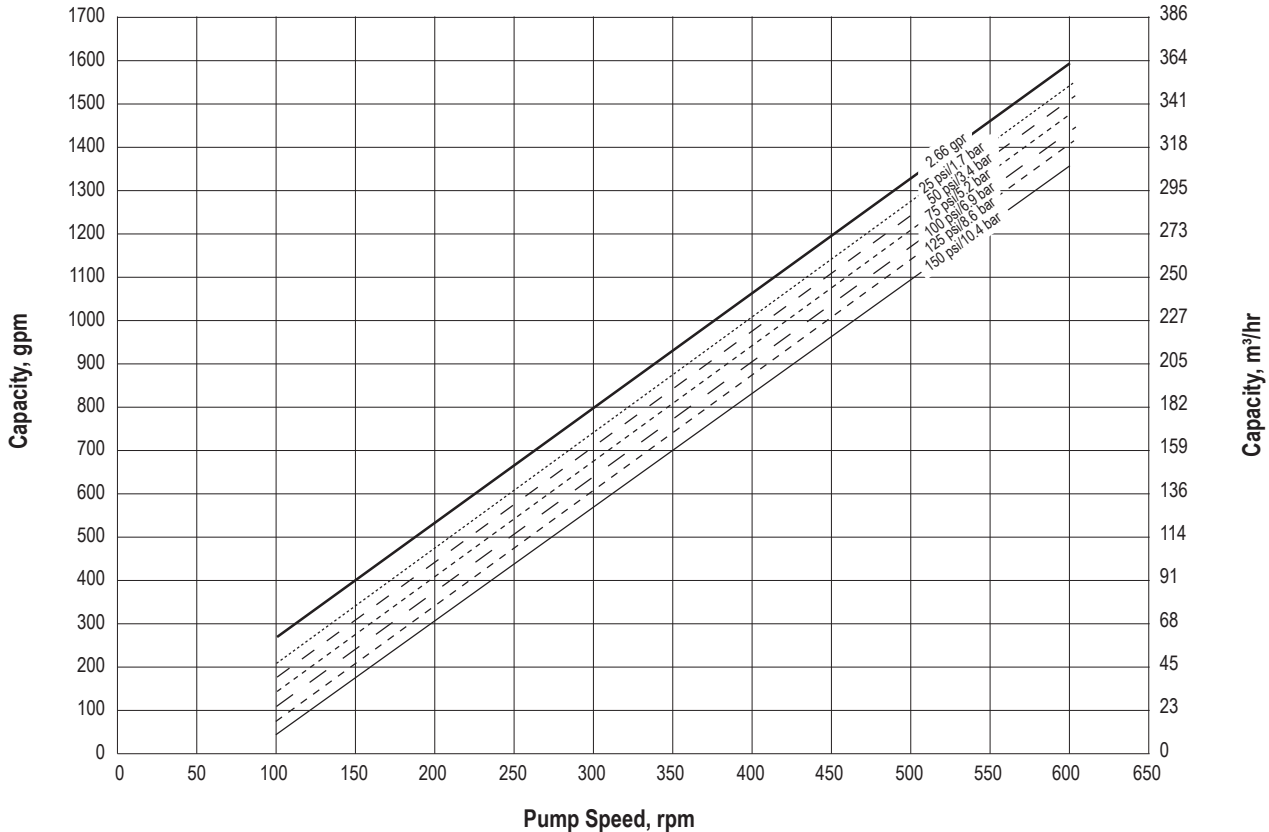
**Documentation Included**

IOM section with material certifications, test data and results, record of heat treatments, results of quality control tests, and other data as agreed with Purchaser

**L266h CURVES**

**Performance Curve - NBR Lobes\***

Based on 70°F (21°C) fresh water (1 cp) at Sea Level.  
Output will increase as viscosity of the fluid increases from 1.



\*Note: Output from lobes coated with elastomers other than NBR maybe lower. Contact Engineering for further information.

**Horsepower Requirements**

